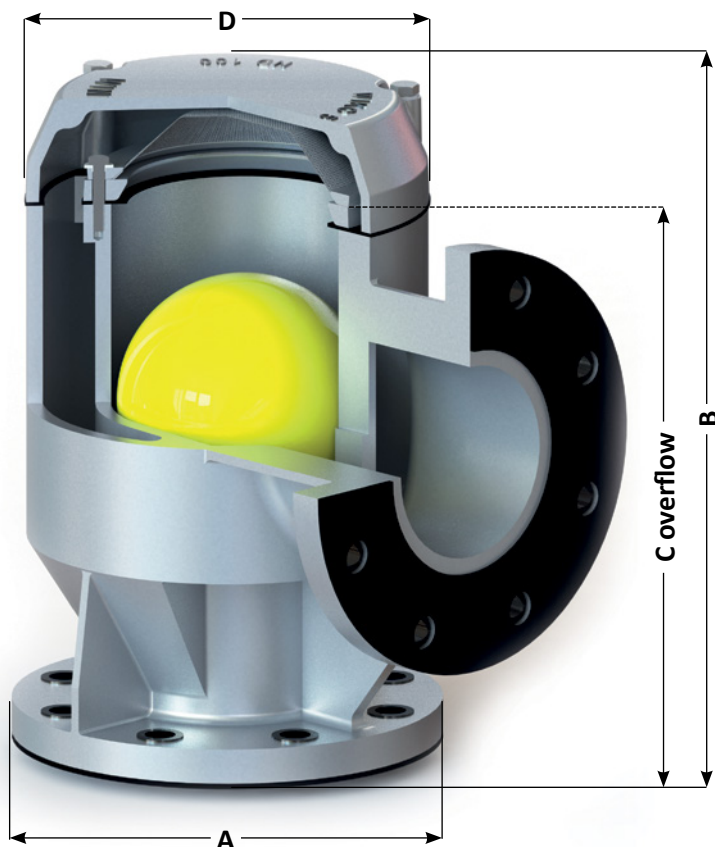


The world's largest producer of seawater resistant aluminium air pipe heads
Innovative and high quality products

WIKO5000 TYPE1-A AIR PIPE HEADS DN50-DN125



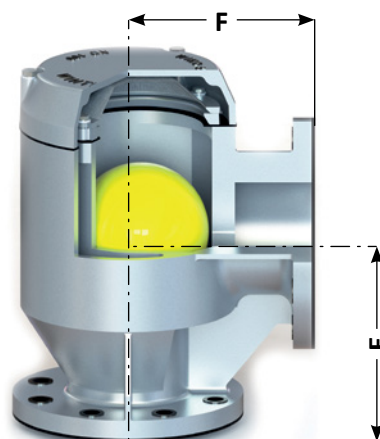
Options:

1. Closing device*
2. Screen*
3. Flexible Coupling
4. Victaulic connection
5. Small flange connection
6. Powder (epoxy) coating - mandatory**
7. Sounding pipe

* Either option 1 or 2 (Closing device or screen)

- HFO: Winteb strongly advises to use VITON Gaskets for HFO tanks & Bunker stations with temperatures exceeding +60°C

- Winteb advises to not use a screen on Ballast tanks unless required by class



WIKO5000 type 1A is certified as watertight, according to IMO3573 regulations

WIKO5000 Type 1A Air Pipe Head

Also available with de-icing system. Picture below shows a WIKO5000 Type 1A DN65 with de-icing system



**WIKO5000 type 1A has to be powdercoated because of warranty reasons

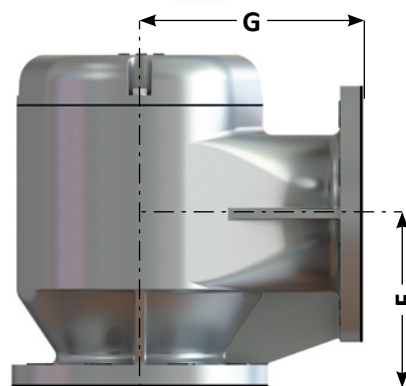
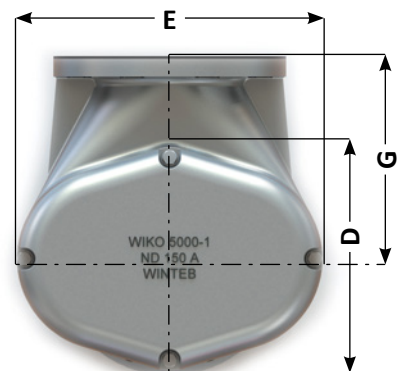
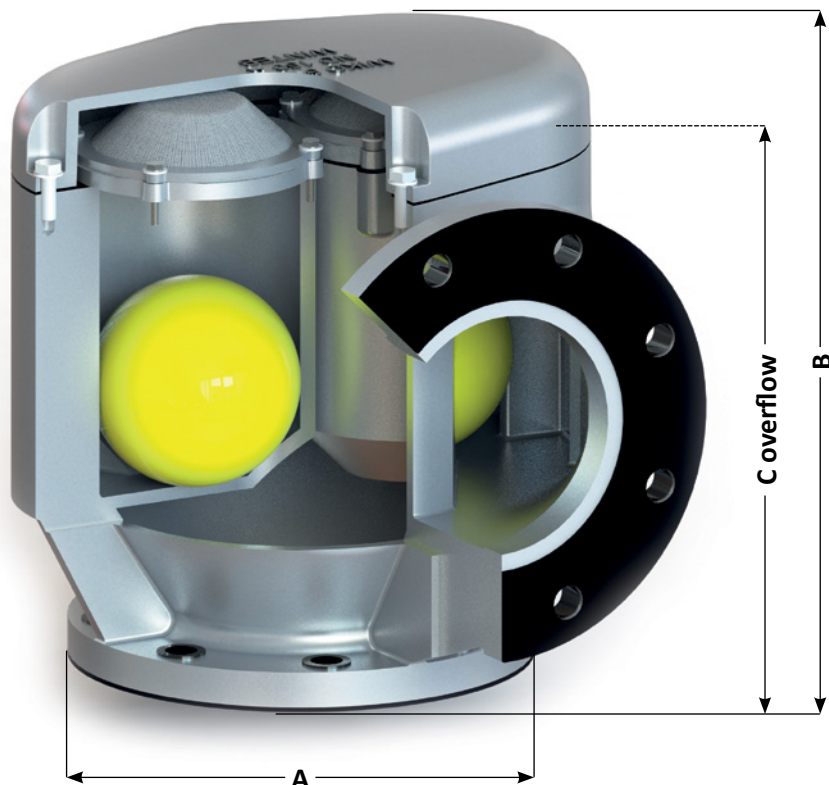
	DN50 (2")	DN65 (2 1/2")	DN80 (3")	DN100 (4")	DN125 (5")
A	Flange connection according to any standard				
B ±2.5 (mm)	240	240	240	335	335
C Overflow (mm)	210	210	210	290	290
D (mm)	Ø156	Ø156	Ø156	Ø205	Ø205
E (mm)	105	112.5	122.5	170	170
F (mm)	130	130	130	175	175
Ball diameter (mm)	Ø90	Ø90	Ø90	Ø130	Ø130
Weight (kg)	4.5	5	6	10	12
Flow rate at 0.25 bar (m3/h)***	28.7	31.4	35.7	72.6	76.9
Max. inlet air speed (m/s)	16.5	10	7	10	8.5
Inlet air flow rate at max. inlet air speed (m3/h)	108	126	129	288	396

This information is not to be considered exhaustive. The content of this publication is of general and informative nature and is not meant as (technical) advice for product or usage purposes. No rights are to be derived from this information.

Made of seawater resistant Aluminium EN1706/DIN1725 | Non corroding | Maintenance free | Smallest design available
No suction blocking | Cost saving | light weight = less fuel = less CO2 emission | Approved by all major classification societies

The world's largest producer of seawater resistant aluminium air pipe heads
 Innovative and high quality products

**WIKO5000 TYPE1-A AIR PIPE HEADS
 DN150-DN400**



WIKO5000 type 1A is certified as watertight, according to IMO3573 regulations

WIKO5000 Type 1A Air Pipe Head
 Also available in de-icing system
 Picture below shows a WIKO5000 Type 1A DN150 with de-icing system



	DN150 (6")	DN175 (7")	DN200 (8")	DN250 (10")	DN300 (12")	DN350 (14")	DN400 (16")
A	Flange connection according to any standard						
B ±2.5 (mm)	365	365	430	430	565	565	565
C Overflow (mm)	320	320	375	375	465	465	465
D (mm)	270	270	270	270	450	450	450
E (mm)	375	375	440	440	610	610	610
F (mm)	190	202.5	215	230	270	295	270
G (mm)	245	245	245	245	350	350	350
Ball diameter (mm)	Ø130	Ø130	Ø130	Ø130	Ø240	Ø240	Ø240
Weight (kg)	22	25	30	32	55	57	60
Flow rate at 0.25 bar (m3/h)***	151.8	151.8	257.7	265.6	510.5	506.3	514.3
Max. inlet air speed (m/s)	14	14	14	11	15	9.5	10
Inlet air flow rate at max. inlet air speed (m3/h)	900	900	1530	2052	3780	3420	4320

***Please note that these values correspond with the WIKO5000 Type 1A with screen mesh 18, flowrate is with water being pumped through the air pipe head

This information is not to be considered exhaustive. The content of this publication is of general and informative nature and is not meant as (technical) advice for product or usage purposes. No rights are to be derived from this information.

Made of seawater resistant Aluminium EN1706/DIN1725 | Non corroding | Maintenance free | Smallest design available
 No suction blocking | Cost saving | light weight = less fuel = less CO2 emission | Approved by all major classification societies